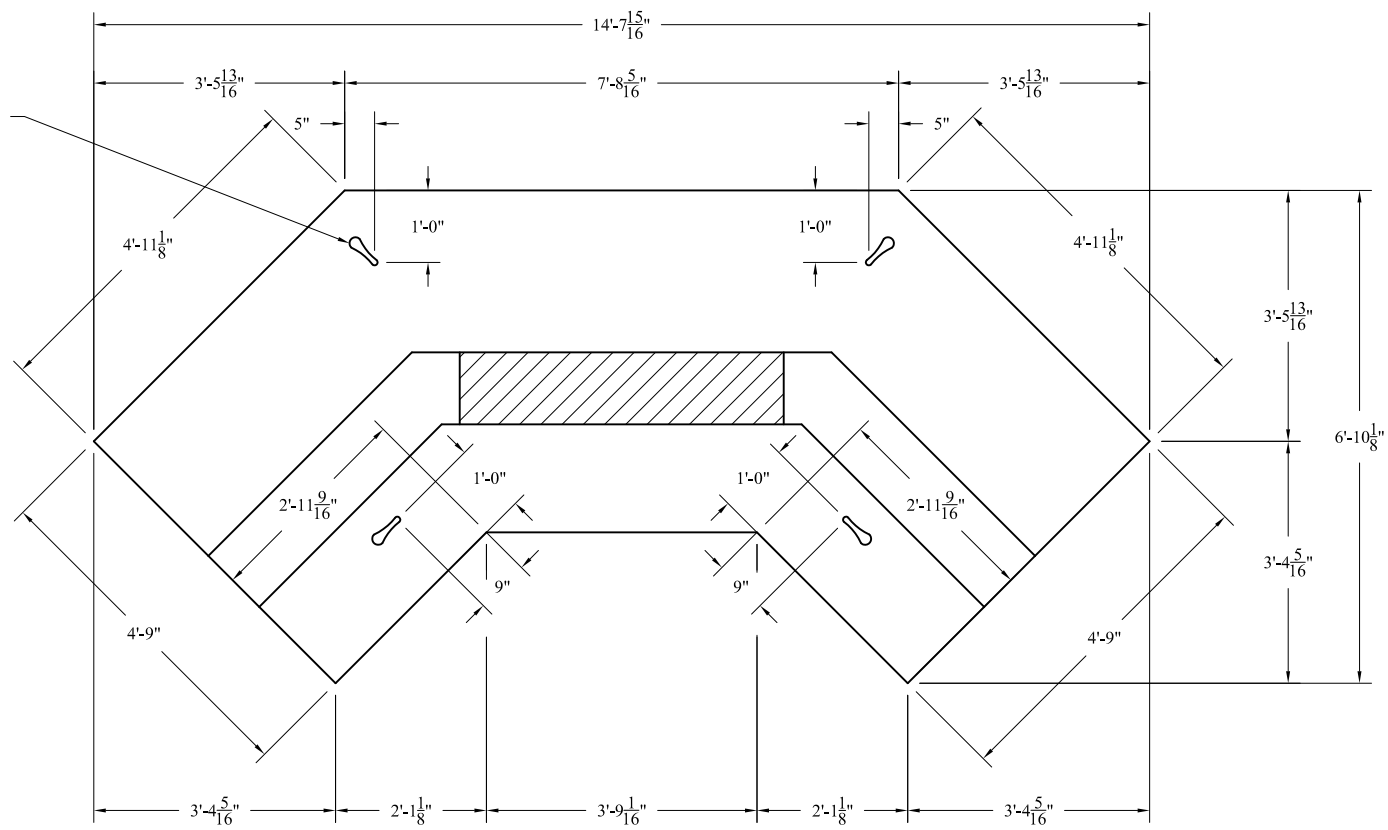
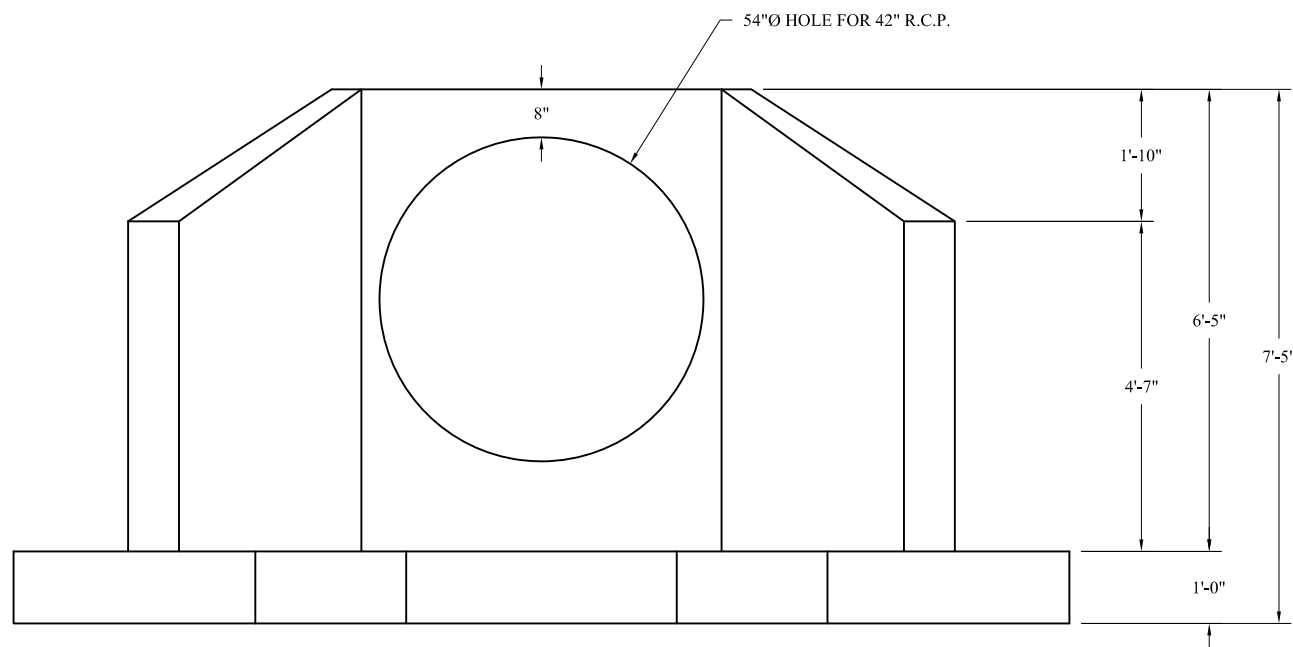


PLAN VIEW

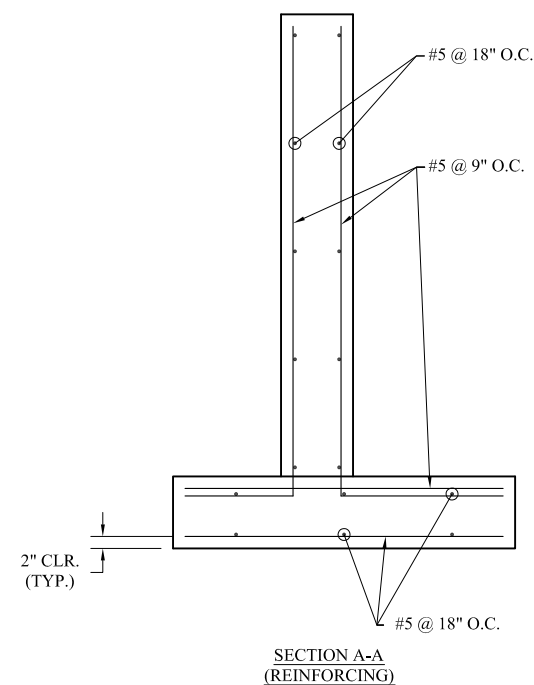
LIFTING LOOP PER HEADWALL WEIGHT (TYP. OF 4)



BASE DETAILS



ELEVATION VIEW



- GENERAL NOTES:
1. CONCRETE: 5,000 PSI @ 28 DAYS.
 2. AIR: 6% ± 2%.
 3. REINFORCING: ASTM A-615 GRADE 60.
 4. WEIGHT: 18,781 LBS.

NCI
Norwalk Concrete Industries
80 Commerce Drive
Norwalk, Ohio 44857
www.nciprecast.com

Toll Free 800.733.3624
Phone 419.668.8167
Fax 419.663.0627

ODOT HW-1.1 FOR 42" PRECAST ALTERNATE

| | | | |
|------------|------------|---------|---------|
| REVISIONS: | DWG: | DATE: | SHT. -1 |
| | HW-0085-13 | 4-12-13 | OF -1 |
| | | | J.R.B. |